

SHP320-32

Semi-Solid-State



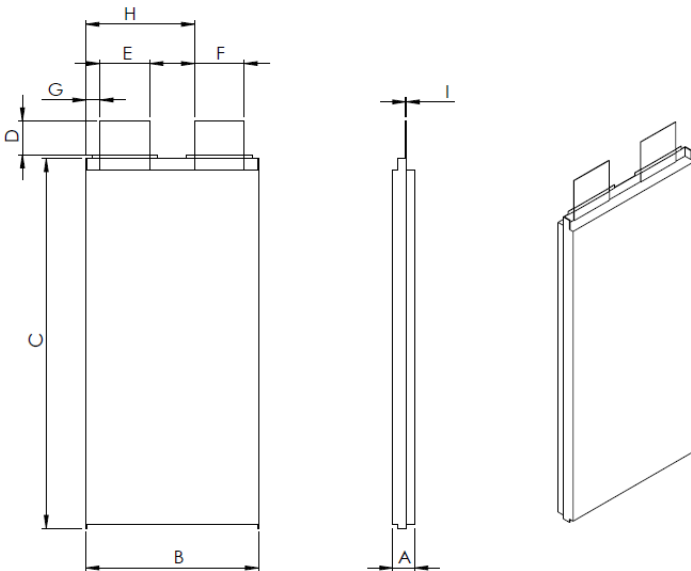
Capacity / Voltages

Typical	32.00 Ah	Voltages	Nominal	3.65 V
	73.00 Wh		Maximal	4.2 V
			Minimal	2.75 V

Characteristics

Discharging	Ultrafast	5 C	Charging	Ultrafast	2 C
	Fast	3 C		Fast	1 C
	Standard	0.33 C		Standard	0.33 C
Temperatures	Discharge	-20-55°C	Charge	0-45°C	
Energy Density	Gravimetric	305 Wh/kg	Volumetric	690 Wh/l	

Dimensions



A	Thickness	10.4 ± 0.3 mm
B	Width	87 ± 1 mm
C	Length	187 ± 2 mm
D	Tab length	17 ± 3mm
E	Tab width	25 ± 0.5mm
F	Tab width	25 ± 0.5mm
G	Tab margin	7.2 ± 2mm
H	Tab margin	56 ± 2 mm
I	Tab thickness +	0.3 ± 0.05 mm
I	Tab thickness -	0.2 ± 0.05mm
	Weight	382 ± 12g

The information contained herein is for reference only and does not imply a performance guarantee or a product warranty. Specifications and characteristics are subject to change without prior notice. General tolerance according to ISO 2768-m-K. For more information and detailed specifications, please request the extended datasheet.

